



Inline TTL Shutter

INLINE-TTL-S

Installation and Operation Manual

Document Number 000-10000-090-02-201401

Offices:

Ocean Optics, Inc. World Headquarters

830 Douglas Ave., Dunedin, FL, USA 34698

Phone 727.733.2447

Fax 727.733.3962

8 a.m.– 6 p.m. (Mon-Fri), ET

Ocean Optics Mikropack

Maybachstraße 11, D73760, Ostfildern, Germany

Phone +49 (0)711 34 16 96-0

Fax +49 (0)711 34 16 96-85

E-mail:	Info@OceanOptics.com	(General sales inquiries)
	Info@OceanOpticsBV.com	(European sales inquiries)
	Orders@OceanOptics.com	(Questions about orders)
	TechSupport@OceanOptics.com	(Technical support)

Copyright © 2009 Ocean Optics, Inc.

All rights reserved. No part of this publication may be reproduced, stored in a retrieval system, or transmitted, by any means, electronic, mechanical, photocopying, recording, or otherwise, without written permission from Ocean Optics, Inc.

This manual is sold as part of an order and subject to the condition that it shall not, by way of trade or otherwise, be lent, re-sold, hired out or otherwise circulated without the prior consent of Ocean Optics, Inc. in any form of binding or cover other than that in which it is published.

Trademarks

Microsoft, Windows, Windows 95, Windows 98, Windows Me, Windows NT, Windows 2000, Windows XP and Excel are either registered trademarks or trademarks of Microsoft Corporation.

Limit of Liability

Every effort has been made to make this manual as complete and as accurate as possible, but no warranty or fitness is implied. The information provided is on an “as is” basis. Ocean Optics, Inc. shall have neither liability nor responsibility to any person or entity with respect to any loss or damages arising from the information contained in this manual

Table of Contents

About This Manual	iii
Document Purpose and Intended Audience.....	iii
What's New in this Document	iii
Document Summary.....	iii
Product-Related Documentation	iii
Upgrades	iii
Chapter 1: Setup.....	1
Overview.....	1
Unpacking.....	2
Contents	2
Chapter 2: INLINE-TTL-S Specifications.....	3
Operating Environment	3
Specifications	3
Pinout Information	4
Pinout Diagram.....	4
Transmission	5
Mechanical Diagrams.....	6
Index	8

About This Manual

Document Purpose and Intended Audience

This document provides you with an installation section to get your system up and running.

What's New in this Document

This version of the *Inline TTL Shutter Inline-TTL-S Installation and Operation Manual* adds mechanical diagrams.

Document Summary

Chapter	Description
Chapter 1: Setup	Contains instructions for setting up your Inline TTL Shutter.
Chapter 2: INLINE-TTL-S Specifications	Contains operating specifications and pinout information.

Product-Related Documentation

You can access documentation for Ocean Optics products by visiting our website at <http://www.oceanoptics.com>. Select *Technical* → *Operating Instructions*, then choose the appropriate document from the available drop-down lists. Or, use the **Search by Model Number** field at the bottom of the web page.

You can also access operating instructions for Ocean Optics products on the *Software and Technical Resources* CD included with the system.

Engineering-level documentation is located on our website at *Technical* → *Engineering Docs*.

Upgrades

Occasionally, you may find that you need Ocean Optics to make a change or an upgrade to your system. To facilitate these changes, you must first contact Customer Support and obtain a Return Merchandise Authorization (RMA) number. Please contact an Ocean Optics for specific instructions when returning a product.

Chapter 1

Setup

Overview

INLINE-TTL-S Inline TTL Shutter is a small mechanical laser-cut shutter that is positioned between two UV/VIS-optical components. The INLINE-TTL-S is an OEM part for use in other equipment.

The shutter is controlled by a small circuit board that is powered by a 12 VDC signal. The maximum frequency at which the INLINE-TTL-S can operate is 5Hz (5 shutter cycles per second).



Inline TTL Shutter (15-pin input component and control circuitry not shown)



Inline TTL Shutter (bottom) with 15-pin input component and control circuitry (top)

Unpacking

► Procedure

1. Unpack your lamp assembly carefully. Although the deuterium lamp is rigidly mounted, dropping this instrument can cause permanent damage.
2. Inspect the outside of the instrument and make sure that there is no damage. Do not use the instrument if damage is present. Contact your dealer for repair or replacement information, if necessary.
3. Use this instrument in a clean laboratory environment (see [Operating Environment](#)).

Contents

Your package should contain the following:

- ❑ Inline-TTL-S Inline TTL Shutter
- ❑ One IC-DB 15-2 interface cable for shutter operation

Additionally, you will need an approved power supply for the LS-475, such as the Mikropack PS-12V/1.25A power supply.

► Procedure

To set up your Inline TTL Shutter review the figures on the previous page and perform the following procedure:

1. Plug in the power supply.
2. Plug the power supply connector into the INLINE-TTL-S sleeve.
3. Remove the SMA connector caps.
4. Connect the SMA connectors on your fibers to the SMA plugs on each end of the INLINE-TTL-S shutter.
5. Plug the SUB-D 15-pol. connector into the sleeve for automatic TTL operation (cable included).

You have now configured the INLINE-TTL-S for use.

INLINE-TTL-S Specifications

This section provides information on the operating environment and physical specifications of the INLINE-TTL-S. It also provides pinouts for the 15-pin connector.

Operating Environment

The following table provides information on optimizing the operating environment of your INLINE-TTL-S.

Operating Environment	The INLINE-TTL-S Unit . . .
Moisture	Is designed for operation in dry rooms only.
Ventilation	Should be situated so that its location or position does not interfere with proper ventilation.
Heat	Should be situated away from any device that emits excessive heat.
Object and Liquid Entry	Should be positioned so that objects do not fall on top of the unit. Additionally, ensure that no liquids are spilled into the enclosure through openings.
Power Sources	Should be connected to an approved power supply, such as the Mikropack 12 VDC 1250mA analog regulated power supply (PS-12V/1.25A)

Specifications

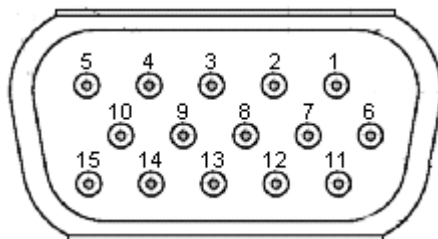
Specifications	Criteria
Spectral Range	UV-VIS
Shutter Input	TTL maximum 5 Hz
Power Requirements	12 VDC
Power Consumption	Maximum 100 mA
Weight	Approximately 600 g
Size	140 x 50 x 50 mm

Pinout Information

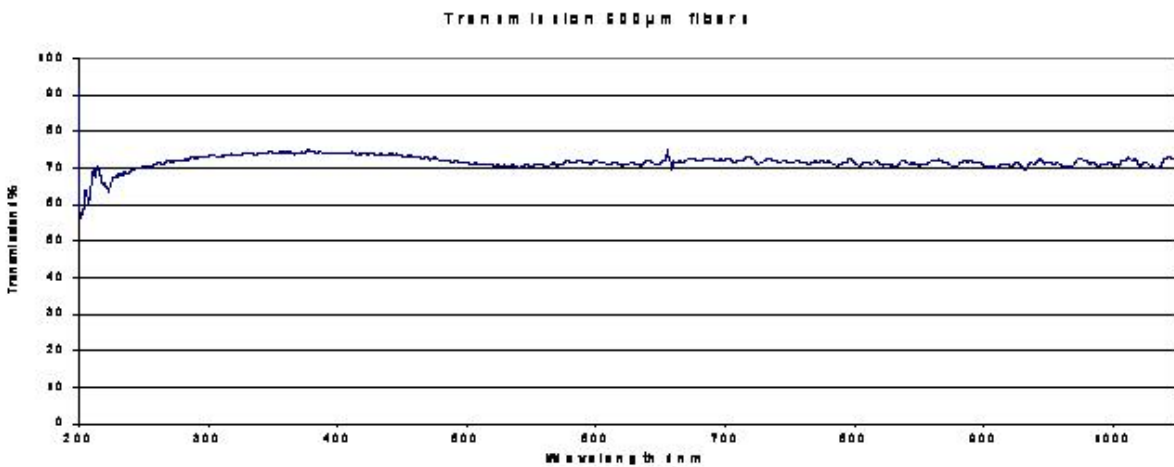
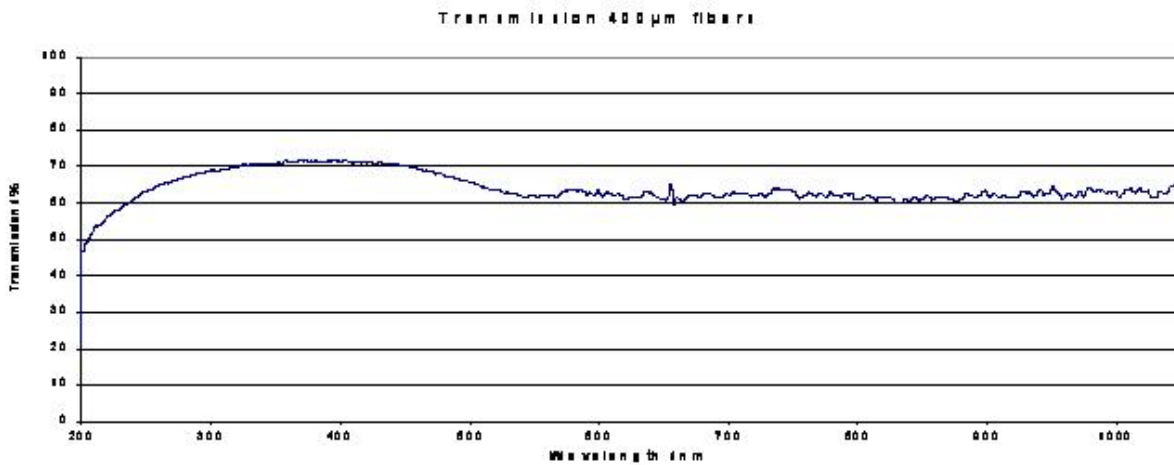
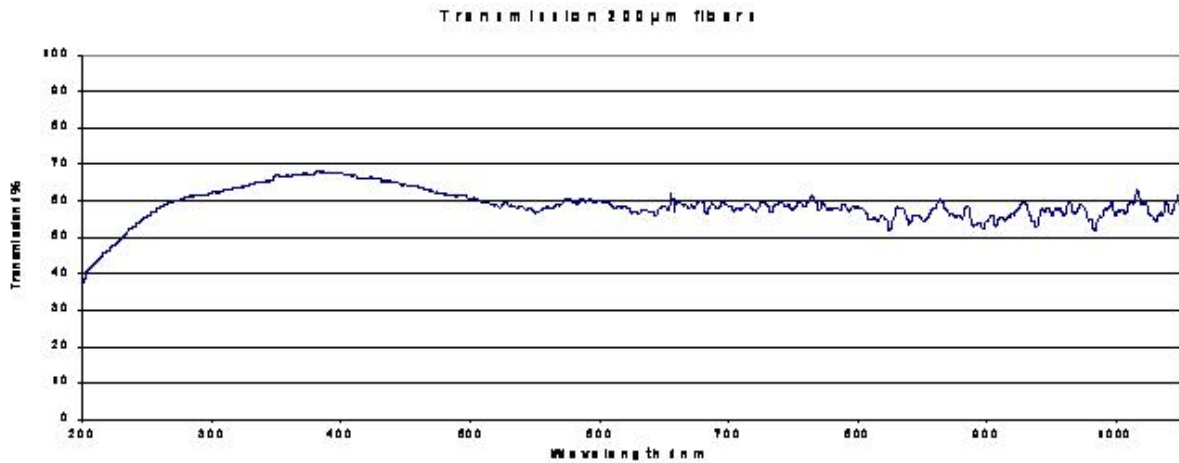
The following table contains pinout information for the INLINE-TTL-S:

Pin	Description
1	na
2	na
3	na
4	na
5	na
6	na
7	na
8	na
9	na
10	Ground
11	na
12	na
13	TTL Signal
14	na
15	na
na = not applicable	

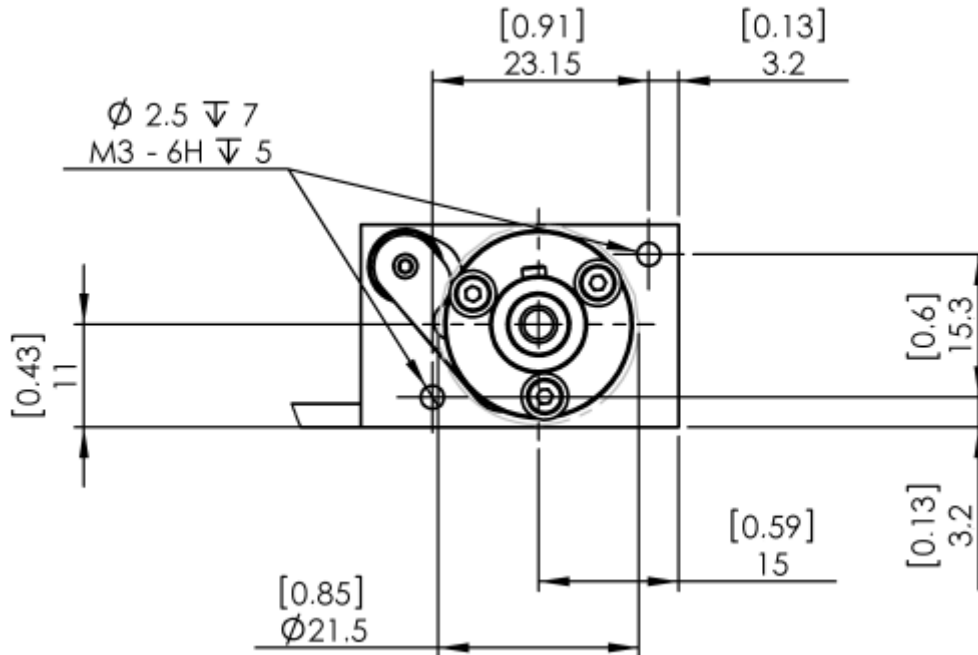
Pinout Diagram



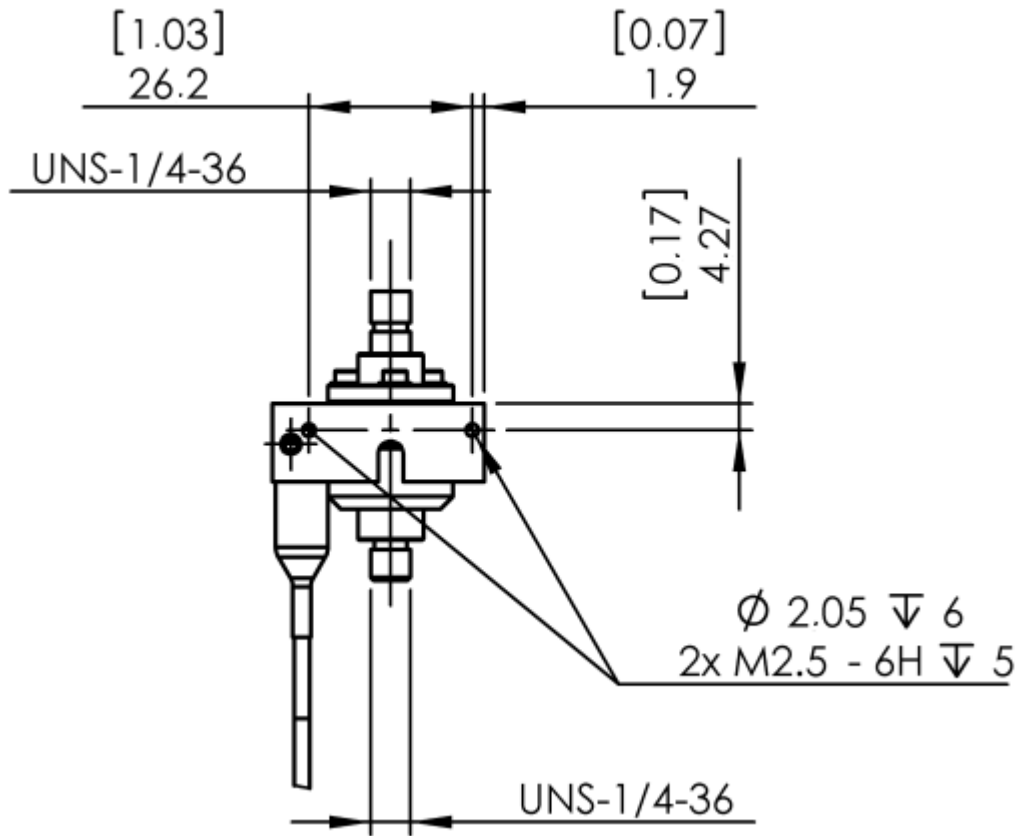
Transmission



Mechanical Diagrams



Front View -- Mounting Point on Front Plate (dimensions in mm)



Bottom View -- Mounting Point on Base Plate (dimensions in mm)

Index

D

document
 audience, iii
 purpose, iii
 summary, iii

M

mechanical diagrams, 6

O

operating environment, 3

P

package contents, 2
pinouts, 4
product-related documentation, iii

S

setup, 1
specifications, 3

T

transmission, 5

U

unpacking procedure, 2
upgrades, iii

W

what's new, iii

